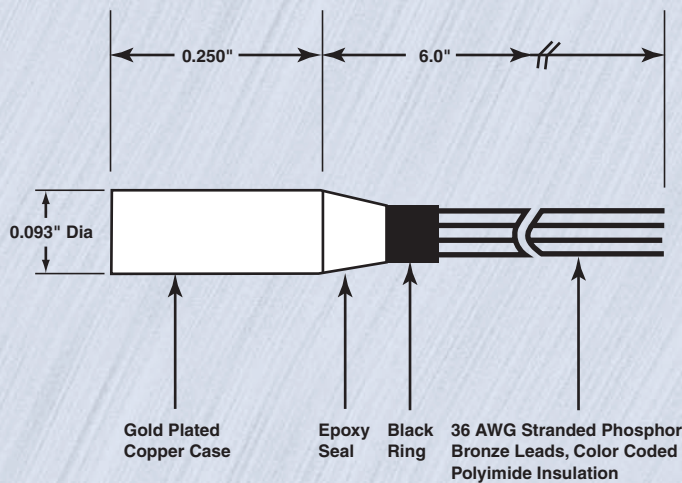


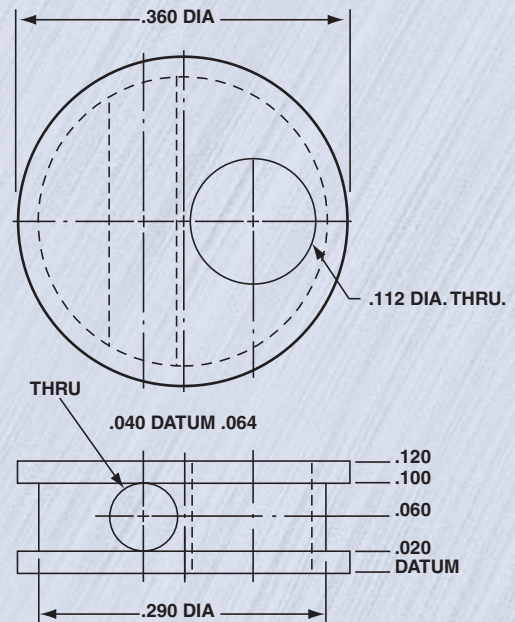
MODEL Si410

CRYOGENIC TEMPERATURE SENSOR SILICON DIODE THERMOMETER

STANDARD CONFIGURATION



MODEL 22 BOBBIN



Si410 Interchangeable Diode

Accuracy

Group AA	± 0.1K from 1.5K to 25K ± 0.5K from 25K to 450K
Group A	± 0.3K from 1.5K to 25K ± 0.5K from 25K to 450K
Group B	± 1.0K from 1.5K to 25K ± 2.0K from 25K to 450K
Group C	± 0.5K from 1.5K to 25K ± 1.0K from 25K to 450K

Si420 Industrial Diode

All Si420 sensors have the following accuracy:

± 2K from 4K to 25K
± 5K from 25K to 450K



MODEL Si410

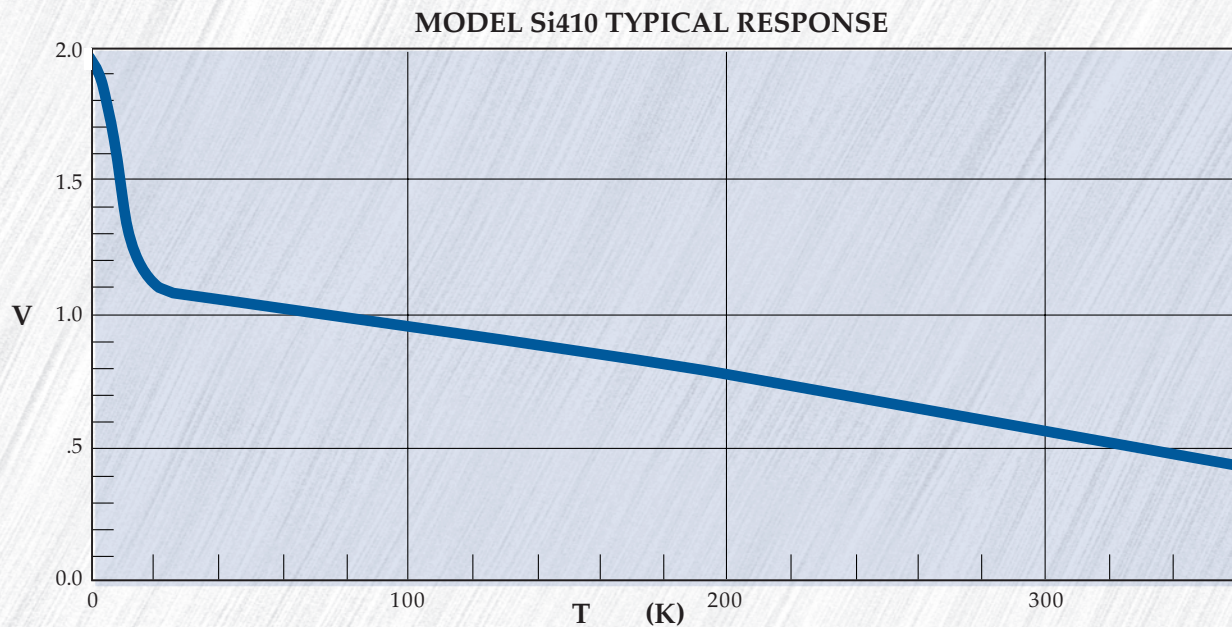
CRYOGENIC TEMPERATURE SENSOR SILICON DIODE THERMOMETER

Typical Response Curve

Reference Standards for Temperature Measurements: 1.5K–100K - Germanium - NIST Calibrated
100K–450K - Platinum - NIST Calibrated

Silicon Diode Thermometer

Calibration Current: 10 microamps



Notes:

1. Model Si410 and Si420 sensors are normally mounted in a gold-plated copper case with 4 each 36 AWG Polyimide insulated, color-coded, phosphor bronze leads. Case size is 0.093" diameter by 0.250" long. Other packages can be supplied; consult the factory.
2. Individual Model Si410 sensors can be calibrated at 10 or 100 microamps over various standard temperature ranges (see price sheet for ranges) at the following accuracies:

± 0.05K from 1.5K to 25K
± 0.10K from 25K to 450K



4400 West Tiffany Drive, West Palm Beach, Florida 33407
Telephone: (561) 881-8500 • Fax: (561) 881-8556
Visit our website @ www.scientificinstruments.com
e-mail: sales@scientificinstruments.com