



## COMPONENT MAINTENANCE MANUAL

### TEMPERATURE SENSOR

Part Number  
B7320

Issued by  
SCIENTIFIC INSTRUMENTS, INC.  
4400 W. Tiffany Drive  
West Palm Beach, FL 33407  
USA

Tel (561) 881-8500  
Fax (561) 881-8556

**21-52-47**

Page T-1/T-2  
Oct 12 1999  
Rev 2 Feb 04/2004



COMPONENT MAINTENANCE MANUAL  
B7320

RECORD OF REVISIONS

REVISION	REVISION DATE	INSERTION		REVISION	REVISION DATE	INSERTION	
		DATE	BY			DATE	BY
1	03/09/00						
2	02/04/04						





COMPONENT MAINTENANCE MANUAL  
B7320

SERVICE BULLETIN LIST

SERVICE BULLETIN	DATE INSERTED	REV.	SUBJECT



# SCIENTIFIC INSTRUMENTS

## COMPONENT MAINTENANCE MANUAL B7320

### LIST OF EFFECTIVE PAGES

	PAGE	DATE		PAGE	DATE
Title Page	1	Feb 04/2004	Testing and fault isolation	2	Feb 04/2004
	2	BLANK		3	
Record of revisions	1	Feb 04/2004	Disassembly	4	Feb 04/2004
	2	BLANK		5	
Record of temporary revisions	1	Feb 04/2004	Cleaning	5	Feb 04/2004
	2	BLANK		5	
Service Bulletin List	1	Feb 04/2004	Check	5	Feb 04/2004
	2	BLANK		5	
List of effective pages	1	Feb 04/2004	Repair	6	Feb 04/2004
	2	BLANK		6	
Table of Contents	1	Feb 04/2004	Assembly including storage	6	Feb 04/2004
	2	BLANK		6	
Introduction	1	Feb 04/2004	Fits and clearances	6	Feb 04/2004
	2	BLANK		6	
Description and operation	1	Feb 04/2004	Special tools, fixtures and equipment	6	Feb 04/2004
	2	BLANK		6	
Specifications	1	Feb 04/2004	Illustrated parts list	6	Feb 04/2004
	2	BLANK		6	



COMPONENT MAINTENANCE MANUAL  
B7320

TABLE OF CONTENTS

DESCRIPTION AND OPERATION.....	1
SPECIFICATIONS.....	1
TESTING AND FAULT ISOLATION.....	2
DISASSEMBLY.....	5
CLEANING.....	5
CHECK.....	5
REPAIR.....	6
ASSEMBLY INCLUDING STORAGE.....	6
FITS AND CLEARANCES.....	6
SPECIAL TOOLS, FIXTURES, AND EQUIPMENT.....	6
ILLUSTRATED PARTS LIST.....	6



COMPONENT MAINTENANCE MANUAL  
B7320

INTRODUCTION

This manual describes the general configuration of the Temperature Sensor, Model B7320, manufactured by Scientific Instruments, Inc. Identification data, including part number, serial number, and FAA-PMA data, is engraved on the body of the unit.

This manual is divided into separate sections.

Title Page	Testing and Fault Isolation
Record of Revisions	Disassembly
Record of Temporary Revisions	Cleaning
Service Bulletin Information List	Check
List of Effective Pages	Repair
Table of Contents	Assembly including Storage
Introduction	Fits and Clearances
Description and Operation	Special Tools, Fixtures, and Equipment
Specifications	Illustrated Parts List

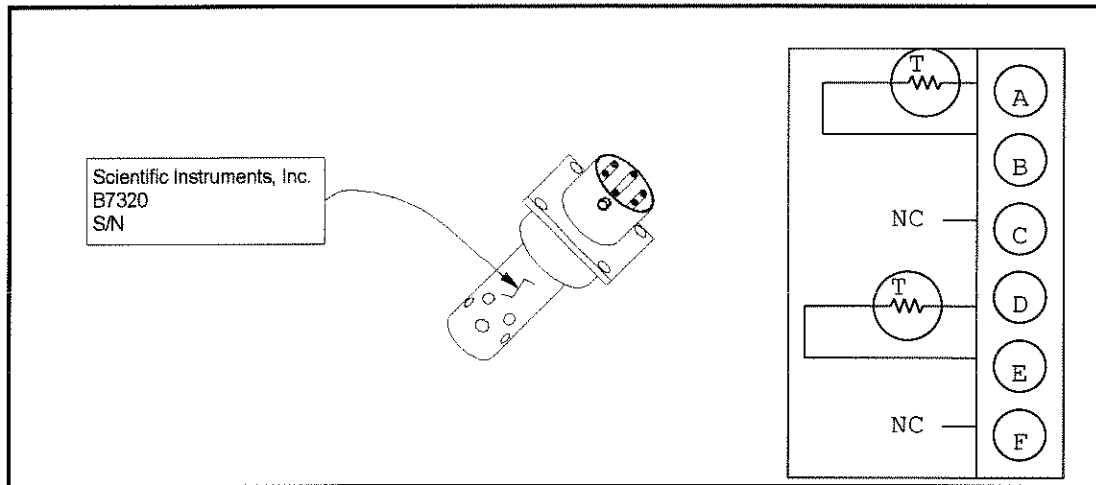
Refer to the Table of Contents for the page location of applicable sections.

The quantities in this manual are expressed in S.I. units followed by English units in parenthesis.

This manual will be revised as necessary to reflect current information.







Outline and Schematic Drawing

Figure 1

### TESTING AND FAULT ISOLATION

#### 4. TESTING AND FAULT ISOLATION

A. The data that follows permits the testing of the sensor to insure correct operation.

#### B. Special Tools and Test Equipment

- 1) A megohmmeter capable of reading 400 megohms and greater at 50 VDC (AEMC Model 1000, or equivalent)
- 2) Temperature-controlled environmental test chamber. Accuracy 1%.
- 3) Thermometer with temperature accuracy  $\pm 0.2^{\circ}\text{F}$  ( $\pm 0.11^{\circ}\text{C}$ )
- 4) Ohmmeter with:

Current:  $<0.1\text{ mA}$

Accuracy: 0.05%

Range: 0-100 K $\Omega$

#### C. Visual Check



COMPONENT MAINTENANCE MANUAL  
B7320

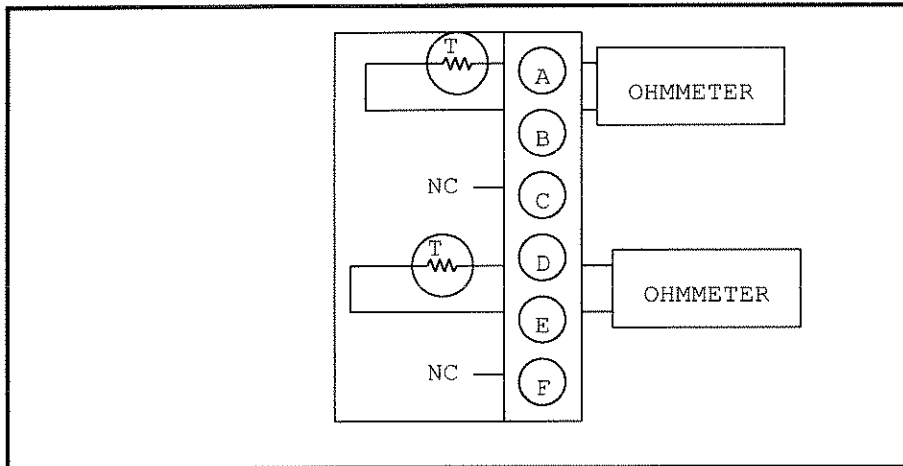
- 1) Visually check the sensor for obvious damage.

D. Insulation Resistance

- 1) Using the megohmmeter, measure the resistance between all receptacle pins and the connector housing. The reading should exceed 400 megohms @ 50 VDC.

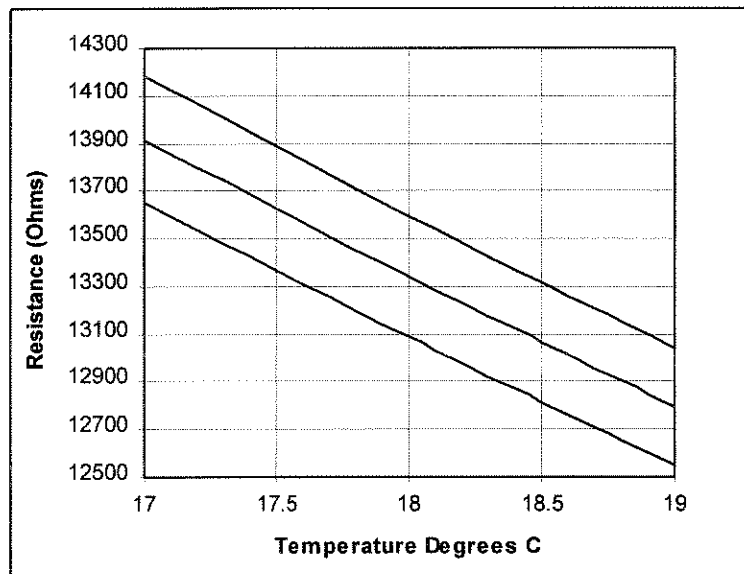
E. Electrical Test (refer to Figure 2)

- 1) Connect the Ohmmeter to pins A & B of the temperature sensor. Hold the sensor at a temperature of  $18^{\circ}\text{C} \pm 1^{\circ}\text{C}$  ( $64.4^{\circ}\text{F} \pm 1.8^{\circ}\text{F}$ ), within the environmental test chamber. With the thermometer at a stable temperature and located within approximately 12.7 mm (1/2 in.) of the tip of the sensor, measure the temperature. Compare this value to that indicated on Figure 3. The value must be within the limits shown on the drawing.
- 2) Connect the Ohmmeter to pins D & E of the temperature sensor. Hold the sensor at a temperature of  $18^{\circ}\text{C} \pm 1^{\circ}\text{C}$  ( $64.4^{\circ}\text{F} \pm 1.8^{\circ}\text{F}$ ), within the environmental test chamber. With the thermometer at a stable temperature and located within approximately 12.7 mm (1/2 in.) of the tip of the sensor, measure the temperature. Compare this value to that indicated on Figure 3. The value must be within the limits shown on the drawing.
- 3) Connect the Ohmmeter to pins A & B of the temperature sensor. Hold the sensor at a temperature of  $30^{\circ}\text{C} \pm 1^{\circ}\text{C}$  ( $86^{\circ}\text{F} \pm 1.8^{\circ}\text{F}$ ), within the environmental test chamber. With the thermometer at a stable temperature and located within approximately 12.7 mm (1/2 in.) of the tip of the sensor, measure the temperature. Compare this value to that indicated on Figure 4. The value must be within the limits shown on the drawing.
- 4) Connect the Ohmmeter to pins D & E of the temperature sensor. Hold the sensor at a temperature of  $30^{\circ}\text{C} \pm 1^{\circ}\text{C}$  ( $86^{\circ}\text{F} \pm 1.8^{\circ}\text{F}$ ), within the environmental test chamber. With the thermometer at a stable temperature and located within approximately 12.7 mm (1/2 in.) of the tip of the sensor, measure the temperature. Compare this value to that indicated on Figure 4. The value must be within the limits shown on the drawing.



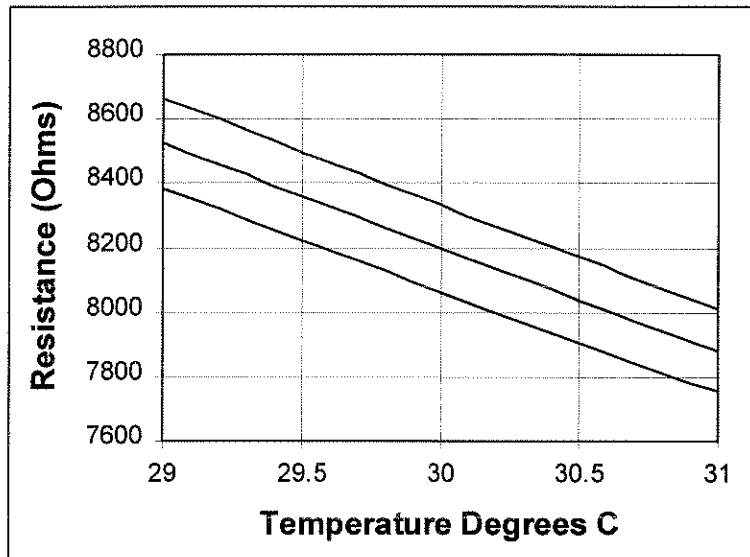
Schematic for Electrical Test

Figure 2



Resistance vs Temperature

Figure 3



Resistance vs Temperature  
Figure 4

5. DISASSEMBLY

Not Applicable

6. CLEANING

- A. Remove dirt, stains, moisture, etc. with a clean, dry, lint-free cloth.
- B. Use a soft bristle brush moistened in isopropyl alcohol to remove any foreign matter from between the receptacle pins.

7. CHECK

- A. Visually inspect the sensor probe for obvious wear or damage.
- B. Check for bent, broken or missing receptacle pins.
- C. Check probe housing for scratches or cracks.



COMPONENT MAINTENANCE MANUAL  
B7320

## 8. REPAIR

The temperature sensor is considered non-repairable. Bent receptacle pins may be carefully straightened. For other defects or incorrect operation, the temperature sensor should be discarded.

## 9. ASSEMBLY INCLUDING STORAGE

### A. Assembly

Not Applicable

### B. Storage

- 1) Install a protective cap on the electrical connector.
- 2) The sensor must be stored in a clean and dry room open to the air. The temperature must be between 18°C and 28°C (64°F and 82°F) and the relative humidity between 25% and 65%.
- 3) Keep the sensor in its initial packaging. If other containers are put on the sensor container, be careful to prevent damage caused by too much weight.
- 4) Do not keep the sensor near heat, fluids or other sources that can cause corrosion.

## 10. FITS AND CLEARANCES

No dimensional check of the sensor is necessary.

## 11. SPECIAL TOOLS, FIXTURES AND EQUIPMENT

No other special tools are necessary.

## 12. ILLUSTRATED PARTS LIST

Since the unit is non-repairable, no parts list is provided.