

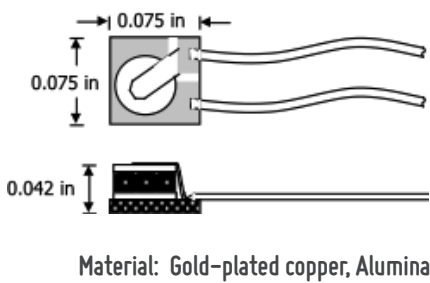
Si435



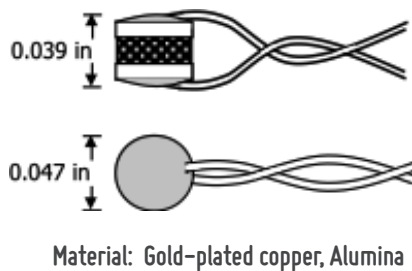
Silicon Diode Temperature Sensor

Si435 Silicon Diodes offer the industry's highest 4 Kelvin accuracy in an interchangeable diode temperature sensor. The new CAP package is the smallest encapsulated diode mount on the market while the SMD package offers the utility of a compact surface mount. The Si435 is available in two interchangeable tolerance bands, and individual calibrations are available where milikelvin accuracy is required.

SMD PACKAGE



CAP PACKAGE



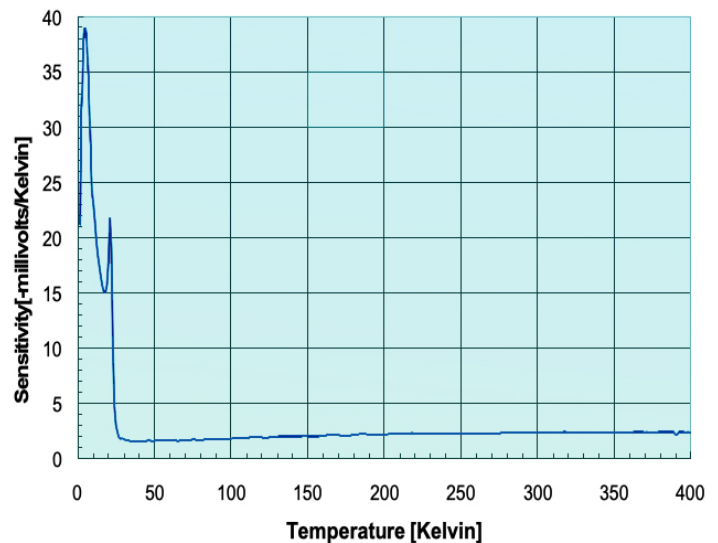
Temperature	Sensitivity
4.2 K	41 mV/K
77 K	1.7 mV/K
273 K	2.3 mV/K

TOLERANCE GROUPINGS

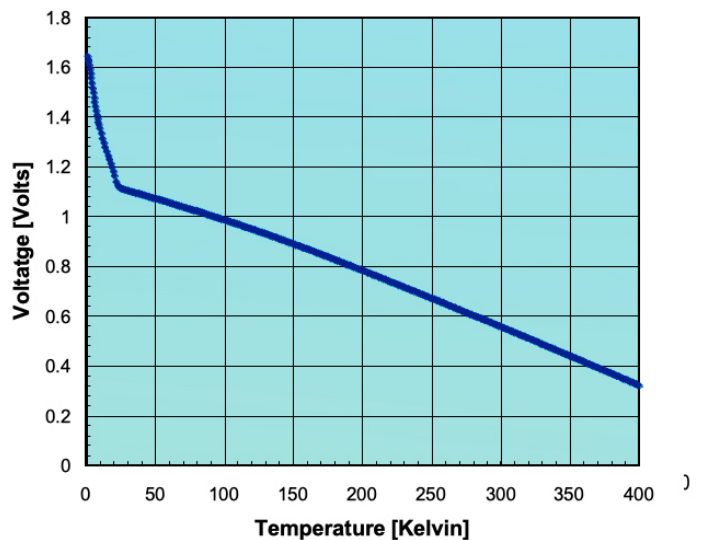
	1.5K to 30K	30K to 100K	100K to 400K
Enhanced	±0.1K	±0.2K	±1.0K
Standard	±0.2K	±0.4K	±1.0K

*Other tolerances available, consult manufacturer

SENSITIVITY



RESPONSE CURVE



ISO 9001
CERTIFIED





SPECIFICATIONS

Range: 1.5K – 400K

Excitation: 10µA ±0.1%

Repeatability: 10mK @4.2K, 16mK @77K, 75mK @273K

Magnetic Field Use: Not recommended for fields above 0.1 Tesla below 40K

Use in Radiation: Not recommended for use in high radiation environments.

Leads: 37 AWG Copper, Polyimide insulation, 3 inches standard length

Mounting Options: SMD, CAP, Canister, All SI Bobbin Models (see Reverse)

CUSTOM LEADS FOR CANS AND BOBBINS

Available in lengths from 6 inches to 15 feet
Teflon sheathing available.

FOUR-WIRE OPTIONS

36 AWG Copper, Twisted
Insulation: Teflon

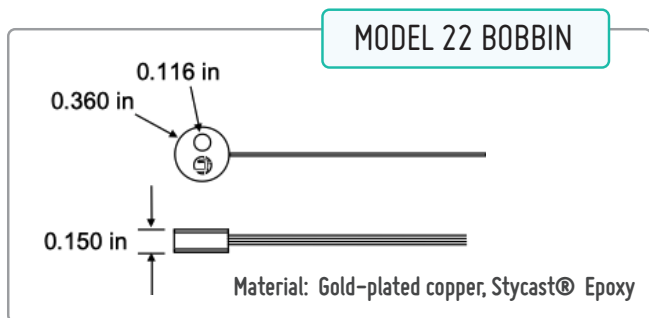
30 AWG Copper, Twisted (Available on Model 25 only)
Insulation: Teflon

36 AWG Phosphor-Bronze, Bonded
Insulation: Polyimide

32 AWG Phosphor-Bronze, Bonded
Insulation: Polyimide

30 AWG Phosphor-Bronze, Bonded
Insulation: Polyimide

TWO-WIRE CONFIGURATIONS AVAILABLE UPON REQUEST.



CALIBRATION RANGES

P 4.2K to 400K
PP 1.5K to 400K

